



MAKING SIMPLE APPLICATIONS, SIMPLE.

**0.25 to 5 hp (0.18 to 4 kW)**  
**1Φ 115 & 230 V, 3Φ 230 & 460 V**  
**Linear V to F, Square V to F, Resistance Compensation**

## Commander S Highlights

### Easy to install

The sleek curved design of Commander S optimises component layout for a small footprint and easy access to terminals. The click-on/click-off DIN rail mount makes installation remarkably easy.

### Easy to use

Using our new MARSHAL App (Android/iOS) your drive can be configured in under 60 seconds.

### Reliable

Durability is at the core of Commander S design, guaranteeing performance throughout its whole lifetime.

### Cost effective

Equipped with unique features designed to save you time, energy and money.

## COMMANDER S100 DRIVE SPECIFICATIONS

Power & Control	
Supply Requirements	115 V Drive: 100 V to 120 V ±10 % 230 V Drive: 200 V to 240 V ±10 % 460 V Drive: 380 V to 480 V ±10 % Maximum supply imbalance: 2 % negative phase sequence (equivalent to 3% voltage imbalance between phases)
Power Range	0.25 to 5 hp / 0.18 to 4 kW
Supply Frequency Range	45 to 66 Hz
Output Frequency/Speed Range	0 to 300 Hz
Switching Frequency	4 kHz or 12 kHz
Heavy Duty Overload Capability	150 % for 60 s (from cold), 150 % for 8 s (from hot)
Operating Modes	Linear V to F, Square V to F, Resistance Compensation
Stopping Modes	Coast, Ramp, Ramp & DC Injection Braking, DC Injection Braking with 0 Hz detect, Timed DC Injection Braking, Distance Stop
Communication & Interfaces	
Communications	RJ45 for Modbus RTU, NFC for app interface
Keypads	Fixed LED keypad, Remote IP66 Keypad (available as an accessory) HMI (available as an accessory)
User Software Tools (Free To Download)	MARSHAL (Mobile App), Connect (PC commissioning tool)
Inputs & Outputs	
Analog	2 x Analog input Possible settings: 0-10 V, 0-20 mA, 4-20 mA (No Alarm), 4-20 mA (Alarm), 4-20 mA (Error), Digital
Digital	1 x Analog output Possible settings: 0-10 V, 0-20 mA, 4-20 mA 4 x Digital inputs (1 frequency input) 1 x Digital input / output (can be used as a frequency or PWM output to represent analog value)
Digital Input Logic	Positive or Negative input logic (PNP or NPN sensors)
Relay	1 x Relay (form C) Output frequency resolution: 0.1 Hz Analog input 1: 11 bit
Resolution	Analog input 2: 11 bit Current: The resolution of the current feedback is 10 bit plus sign
Mounting & Environment	
IP Rating	IP20
Storage Temperature	-40 °F to 140 °F (-40 °C to 60 °C)
Operating Temperature Without De-Rate	14 °F to 104 °F (-10 °C to 40 °C)
Operating Temperature With De-Rate	14 °F to 140 °F (-10 °C to 60 °C)
Cooling	Natural convection (frame 1 ≈ 0.33 hp / 0.25 kW), Integral cooling fan (all other drives)
Altitude	9842 ft / 3000m (3281 ft / 1000 m to 9842 ft / 3000 m derate 1% per 328 ft / 100 m)
Humidity	95 % non-condensing at 40 °C / 104 °F - EN61800-2(3k3)
Pollution	Pollution degree 2 - dry, non-conducting pollution only

**Mounting & Environment continued**

Vibration	Tested to IEC 60068-2-6
Mounting Methods	Surface mount, click on/click off DIN rail mount
Mounting Clearance	0 in / 0 mm either side, 1.77 in / 45 mm above and below (3.94 in / 100 mm above and below for frame 1 drives ≤ 0.33 hp / 0.25 kW)
Overvoltage Category	Category III (IEC/EN/KN/UL 61800-5-1)
Corrosive Environments	EN 60721-3-3 ISO9223 Class C3
Maximum Motor Cable Length	50 m (All variants)

**Standards**

Approvals	CE, UKCA, cULus, C-Tick, EAC, KC
-----------	----------------------------------



Product Safety Standards	IEC/EN/KN/UL 61800-5-1, CSA C22.2 No.274, GB12668.501-2013, IEC/EN/KN 61800-3 Adjustable speed electrical power drive systems, Part 3: EMC requirements and specific test methods
--------------------------	--

Product EMC Standards	GB12668.3-2012
-----------------------	----------------

Immunity Compliance	Second environment (Industrial)
---------------------	---------------------------------

Emission Compliance	Category C3 (internal filters only) Category C1 & C2 (external EMC filters) Category C1, (internal filters only, for selected 1Φ 200 V variants)
---------------------	--

Generic Immunity Compliance	EN61000-6-1: Generic immunity standard for residential, commercial and light industrial environments EN 61000-6-2: Generic immunity standard for industrial environments
-----------------------------	---

Generic Emission Compliance	EN 61000-6-4: Generic emission standard for industrial environments
-----------------------------	---

Emission Compliance for Motor Cable Length up to 164 ft / 50 m	C2 with an external filter
--	----------------------------

Emission Compliance for Motor Cable Length up to 65 ft / 20 m	C1 with an external filter C3 without a filter
---	---

Emission Compliance for Motor Cable Length up to 16.4 ft / 5 m	C1 only for drive variants with internal C1 filter (S100-xxxx1)
--	---

**Warranty**

Warranty	5 Years (warranty terms and conditions apply)
----------	---

**Accessories**

Remote Interfaces	Remote keypad IP66, HMI
-------------------	-------------------------

Filters & Cables	EMC filter, Cable management bracket, CT comms cable
------------------	--

Environmental Protection	Fiber filter
--------------------------	--------------

**Protection**

Conformal Coating	100 % Coverage nano-coating
-------------------	-----------------------------

DC Bus Undervoltage Error Level	115 V Drives = 175 V
	230 V Drives = 175 V
	460 V Drives = 330 V

DC Bus Overvoltage Error Level	115 V Drives = 400 V
	230 V Drives = 400 V

Instantaneous Overcurrent Error/Limit	150 % Motor Rated Current (Programmable)
---------------------------------------	--

Phase Loss Error	DC Bus Ripple Threshold Exceeded
------------------	----------------------------------

Overtemperature Error	Control Board Over Temperature, Inverter Model Temperature, Inverter Thermistor Temperature
-----------------------	---

Short Circuit Error	Protection against output phase-to-phase fault
---------------------	--

Motor Thermal Protection	Electronically protects the motor from over-heating due to loading conditions
--------------------------	---

Fire Mode	Run at a set frequency ignoring selected errors
-----------	---

Keep Running	Parameter defaults set to avoid errors and machine downtime
--------------	---

# FUNCTIONALITY

## MARSHAL

Offline Programming	Program the drive while it is still in the box
Cloning	Clone parameter sets from one drive to another
Faststart	Guided commissioning and motor rotation verification test
Guided Diagnostics	Easy fault finding
Parameter File Storage	Save parameter files to the device or cloud for future use
Share Project Configuration	Share to colleagues or to Control Techniques Technical Support for diagnostics
Pdf Parameter Set	Useful for sharing parameter sets for quick review
Wiring Diagram	Automatically generate a printable pdf of a custom wiring diagram for your installation
Non-Default Parameter	Show the parameters that have been changed from their default setting
Favourite Parameters	Favourite parameters visited often
Guides And Manuals	Quick access to drive documentation

## Modbus RTU Communications

## Logic function control

Control Word Control	✓
Cloning	✓
Serial Baud Rate	600 to 115000 bps
Modbus Rtu Protocol	8.2NP, 8.1NP, 8.1EP, 8.1OP

## Reference

Selectable References	4
Jog Reference	✓
Up / Down % Reference (Motorised Pot)	✓
Bi-Polar Reference	✓
Preset Speeds	4
Skip Frequencies	1
Skip Frequencies Dead Band	✓
Local/Remote	✓
S-Ramp	✓
Acceleration Rates	2
Deceleration Rates	2
Frequency Input Reference (Pulse Train)	0 Hz to 100 kHz
Run Reverse	✓

Application Specific		
PID Controller		PI Control
PID Feedforward		✓
PID Threshold Detector		✓
PID Slew Rate		✓
Reference Configuration		✓
Run/Stop Configuration		✓
Input Scaling		4-point
Run Permit (Latching Run)		✓
Limit Switches		✓
Control		
Control Mode: Linear V to F		✓ (Definable Boost)
Control Mode: Square V to F		✓ (Definable Boost)
Control Mode: Resistance Compensation		✓
Low Energy Mode (Dynamic V to F)		✓
Motor Stability Optimiser		✓
Slip Compensation		✓
Auto-Tune: Static		✓
Switching Frequency		4 or 12 kHz
Catch An Already Spinning Motor		✓
Stop Mode: Ramp		✓
Stop Mode: Coast		✓
Stop Mode: Distance Stop	✓ when selected it stops in the same distance from any speed based on the programmed deceleration rate	
Dc Injection Braking		✓
Supply Loss Detection		✓
Programmable Output Current Limit		✓
General		
Diagnostics		✓
Error History Log		4
Parameters Saved On Error		3 (Selectable)
Auto-Reset After Trip		✓
Power Loss Ride Through		✓
Security		4-digit PIN protection
Cooling Fan		Fixed Speed (No fan on S100-01x13 or S100-01x23 drives)

# DIMENSIONS

## How to select a drive

### Electrical Considerations

- What is the supply voltage?
- Single or three phase input power?
- What is the motor rating?
- Continuous current – FLA (Full Load Amps)

Frame 01

Frame 02

Frame 03



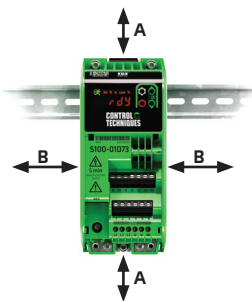
## Dimensions

Model Number	Overall Dimensions ± 0.02 in (0.5 mm)				Mounting Dimensions ± 0.02 in (0.5 mm)					
	Height	Width	Depth	Weight	DIN*	M1	M2	M3	M4	Φ
S100-01	6.14 in 156 mm	2.70 in 68 mm	5.12 in 130 mm	1.54 lb 0.7 kg	1.81 in 46 mm	5.71 in 145 mm	1.77 in 45 mm	0.89 in 22.5 mm	0.89 in 22.5 mm	0.19 in 4.8 mm
S100-02	7.56 in 192 mm	2.70 in 68 mm	5.20 in 132 mm	1.76 lb 0.8 kg	1.81 in 46 mm	7.11 in 180 mm	1.77 in 45 mm	0.89 in 22.5 mm	0.89 in 22.5 mm	0.19 in 4.8 mm
S100-03	7.56 in 192 mm	3.54 in 90 mm	5.20 in 132 mm	2.2 lb 1.0 kg	1.81 in 46 mm	7.11 in 180 mm	2.56 in 65 mm	1.48 in 37.5 mm	1.08 in 27.5 mm	0.19 in 4.8 mm



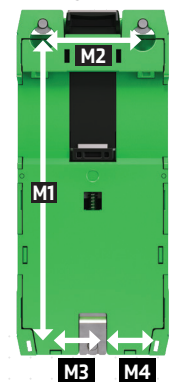
\* No screws are required when mounting the drive onto a DIN rail.

## Drive Clearances



Drive Clearances	S100-01x13, S100-01x23	All other drives
A	3.94 in (100 mm)	1.77 in (45 mm)
B	0 in (0 mm)	

Mounting Dimensions



## Documentation & Downloads

Product documentation and PC tools available for download from:

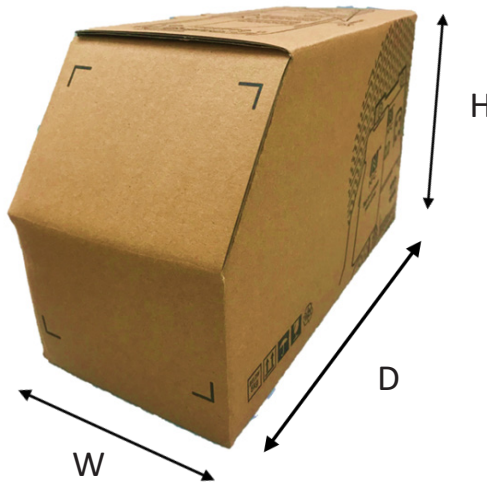
[www.controltechniques.com/support](http://www.controltechniques.com/support)



## Drive Weights

	115V	230V	460V
Frame 1 ≤ 0.33 hp / 0.25 kW	1.28 lb 0.58kg	1.33 lb 0.6 kg	
Frame 1 > 0.33 hp / 0.25 kW	1.42 lb 0.64 kg	1.47 lb 0.67 kg	
Frame 2		1.79 lb 0.81 kg	1.71 lb 0.77 kg
Frame 3	2.01 lb 0.91 kg	2.04 lb 0.93 kg	2.04 lb 0.92 kg

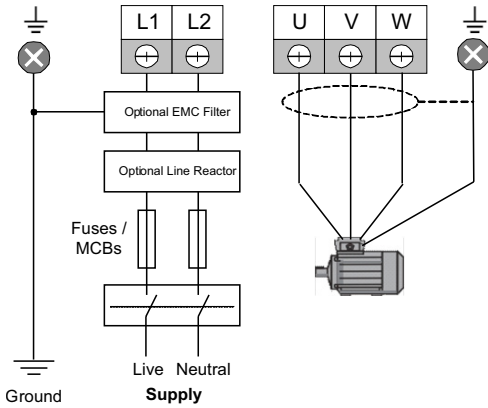
## Shipping Specifications



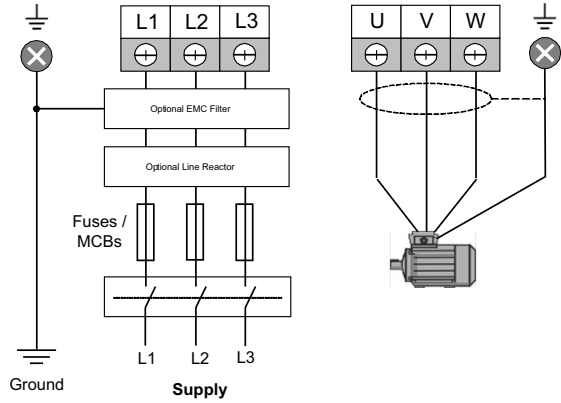
	Drive Shipping Weights (± 0.1 lb / 0.05 kg)			Carton Dimensions		
	115 V	230 V	460 V	H	W	D
Frame 1 ≤ 0.33 hp / 0.25 kW	1.7 lb 0.76 kg	1.7 lb 0.78 kg		5.91 in 150 mm	4.72 in 120 mm	9.06 in 230 mm
Frame 1 > 0.33 hp / 0.25 kW	1.8 lb 0.83 kg	1.9 lb 0.85 kg				
Frame 2		2.2 lb 1.01 kg	2.1 lb 0.97 kg	6.30 in 160 mm	4.72 in 120 mm	10.43 in 265 mm
Frame 3	2.6 lb 1.16 kg	2.6 lb 1.17 kg	2.6 lb 1.17 kg	6.34 in 161 mm	5.51 in 140 mm	10.51 in 267 mm

# CONNECTIONS

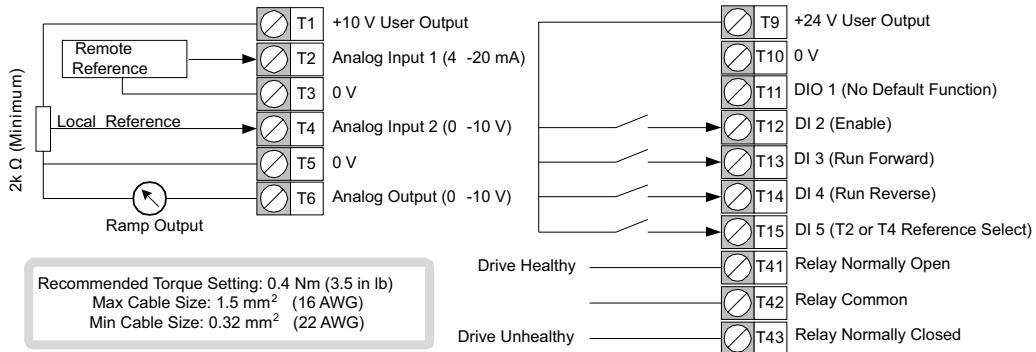
## Single Phase



## Three Phase



## Control Connections (Default Settings)



# PRODUCT CODES

**S100- 01 4 2 3 - 0 B 0000**

Series:

Frame Size

- 01 - Frame 1
- 02 - Frame 2
- 03 - Frame 3

Frame Size, Power Step

Generation Reference

0 - 2022 Release

Reserved

Voltage Rating & Input Phase

- 1 - 115V, 1 $\Phi$
- 2 - 230V, 3 $\Phi$
- 5 - 230V, 1 $\Phi$
- D - 230V, 1/3 $\Phi$
- 4 - 460V, 3 $\Phi$

Built-in EMC Filter

- 1 - C1 Internal Filter
- 3 - C3 Internal Filter

Regional Defaults

- A - EMEA & APAC
- B - America
- C - LS
- K - Customer Specific

# MODEL NUMBER AND RATINGS

Product Code	Input Phases	Frame Size	Internal EMC Filter Performance	Heavy Duty		
				Max Cont. Current (A)	Motor Shaft Power (kW)	Motor Shaft Power (hp)

## Variants with C3 built-in EMC filter

### 100/120 Vac +/-10%

S100-01113-0B0000	1	01	C3	1.2	0.18	0.25
S100-01123-0B0000	1	01	C3	1.4	0.25	0.33
S100-01133-0B0000	1	01	C3	2.2	0.37	0.5
S100-03113-0B0000	1	03	C3	3.2	0.55	0.75
S100-03123-0B0000	1	03	C3	4.2	0.75	1
S100-03133-0B0000	1	03	C3	6	1.1	1.5

### 200/240 Vac +/-10%

S100-01513-0B0000	1	01	C3	1.4	0.18	0.25
S100-01213-0B0000	3	01	C3	1.4	0.18	0.25
S100-01523-0B0000	1	01	C3	1.6	0.25	0.33
S100-01223-0B0000	3	01	C3	1.6	0.25	0.33
S100-01533-0B0000	1	01	C3	2.4	0.37	0.50
S100-01233-0B0000	3	01	C3	2.4	0.37	0.50
S100-01543-0B0000	1	01	C3	3.5	0.55	0.75
S100-01243-0B0000	3	01	C3	3.5	0.55	0.75
S100-01553-0B0000	1	01	C3	4.6	0.75	1
S100-01253-0B0000	3	01	C3	4.6	0.75	1
S100-01D63-0B0000	1 3	01	C3	6.6	1.1	1.5
S100-01D73-0B0000	1 3	01	C3	7.5	1.5	2
S100-03D13-0B0000	1 3	03	C3	10.6	2.2	3

### 380/480 Vac +/-10%

S100-02413-0B0000	3	02	C3	1.2	0.37	0.5
S100-02423-0B0000	3	02	C3	1.7	0.55	0.75
S100-02433-0B0000	3	02	C3	2.2	0.75	1
S100-02443-0B0000	3	02	C3	3.2	1.1	1.5
S100-02453-0B0000	3	02	C3	3.7	1.5	2
S100-02463-0B0000	3	02	C3	5.3	2.2	3
S100-03413-0B0000	3	03	C3	7.2	3	3
S100-03423-0B0000	3	03	C3	8.8	4	5

## Variants with C1 built-in EMC filter

### 200/240 Vac +/-10%

S100-02511-0B0000	1	02	C1	1.2	0.18	0.25
S100-02521-0B0000	1	02	C1	1.4	0.25	0.33
S100-02531-0B0000	1	02	C1	2.2	0.37	0.5
S100-02541-0B0000	1	02	C1	3.2	0.55	0.75
S100-02551-0B0000	1	02	C1	4.2	0.75	1
S100-02561-0B0000	1	02	C1	6	1.1	1.5
S100-02571-0B0000	1	02	C1	6.8	1.5	2

Note: The listed order codes are for 60 Hz default settings. For 50 Hz default settings change the ending digits from 0B0000 to 0A0000



© 2022 Nidec Control Techniques Limited. The information contained in this brochure is for guidance only and does not form part of any contract. The accuracy cannot be guaranteed as Nidec Control Techniques Ltd have an ongoing process of development and reserve the right to change the specification of their products without notice.

Nidec Control Techniques Limited. Registered Office: The Gro, Newtown, Powys SY16 3BE. Registered in England and Wales. Company Reg. No. 01236886

Part No. 0781-0051-02 03/22